



2016 JAN 19 AM 10:10
CALIFORNIA REGIONAL WATER
QUALITY CONTROL BOARD
LOS ANGELES REGION

January 15, 2016

Los Angeles Regional Water Quality Control Board
Attention: Mr. Joshua Cwikla
320 W. Fourth Street, Suite 200
Los Angeles, CA 90013

Re: Directive Pursuant to Section 13267 – Order to submit information -- R4-2015-0390

Dear Mr. Cwikla:

This is to inform that we have no knowledge of any existing and or historic open “sumps” located within our current Brea Cañon Oil Co, Inc. operations in the Torrance Field, Los Angeles County. Note that our oil and gas leases are located in the Harbor City area. Most of the property is on developed land (please reference the attached aerial view of our leases). I have no technical reports available for this inquiry as there are no “sumps” within our leases. I have no reason to believe that a sump exists on our leases at this time. I have inquired of our foremen if they have any knowledge of any sumps and they do not.

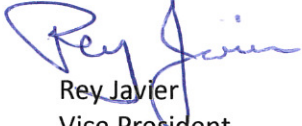
Brea Cañon Oil Co., Inc. produces crude oil, gas and water from two contiguous oil leases called the Joughin Unit and the South Torrance Unit. A copy is enclosed of the flow process diagram for each lease. Crude oil is sold to Phillips 66. Gas is used onsite at the Joughin Unit as fuel to generate electricity for our facility. Produced water at is treated and mostly injected into permitted water injection wells, going back into the producing zones. At this time a small portion (about 3,000 barrels per day of water from Joughin Unit) is sent to Los Angeles County Sanitation District via the sewer. Our tanks, vessels, pits and processing equipment are all enclosed within secondary containment and are connected to a vapor recovery system. I certify that no discharges of produced fluids have occurred.

In 2013, Brea Cañon Oil Co., Inc. drilled 4 new wells. These 4 new wells are the only wells drilled by Brea Cañon Oil Co., Inc. during its time as operator of the field. We used a contractor named Southern California Waste Water to process all fluids related to the drilling of all 4 new wells. We used roll-off bins, mud box, bin liners and zorbix, and all drill mud cuttings loads were taken to the Chiquita Canyon facility for disposal. I have included some example documentation regarding how the fluids and cuttings from the drilling operation were processed. On request, I can also provide additional documentation of the disposal methods used during this time.

I, Rey Javier certify under penalty of law that I have personally examined and am familiar with the information submitted in this document and all attachments and that, based on my inquiry of those individuals immediately responsible for obtaining the information, I believe that the information is true, accurate, and complete. I am aware that there are significant penalties for submitting false information, including the possibility of fine and imprisonment.

Please let me know if you need additional information regarding the above-provided statements.

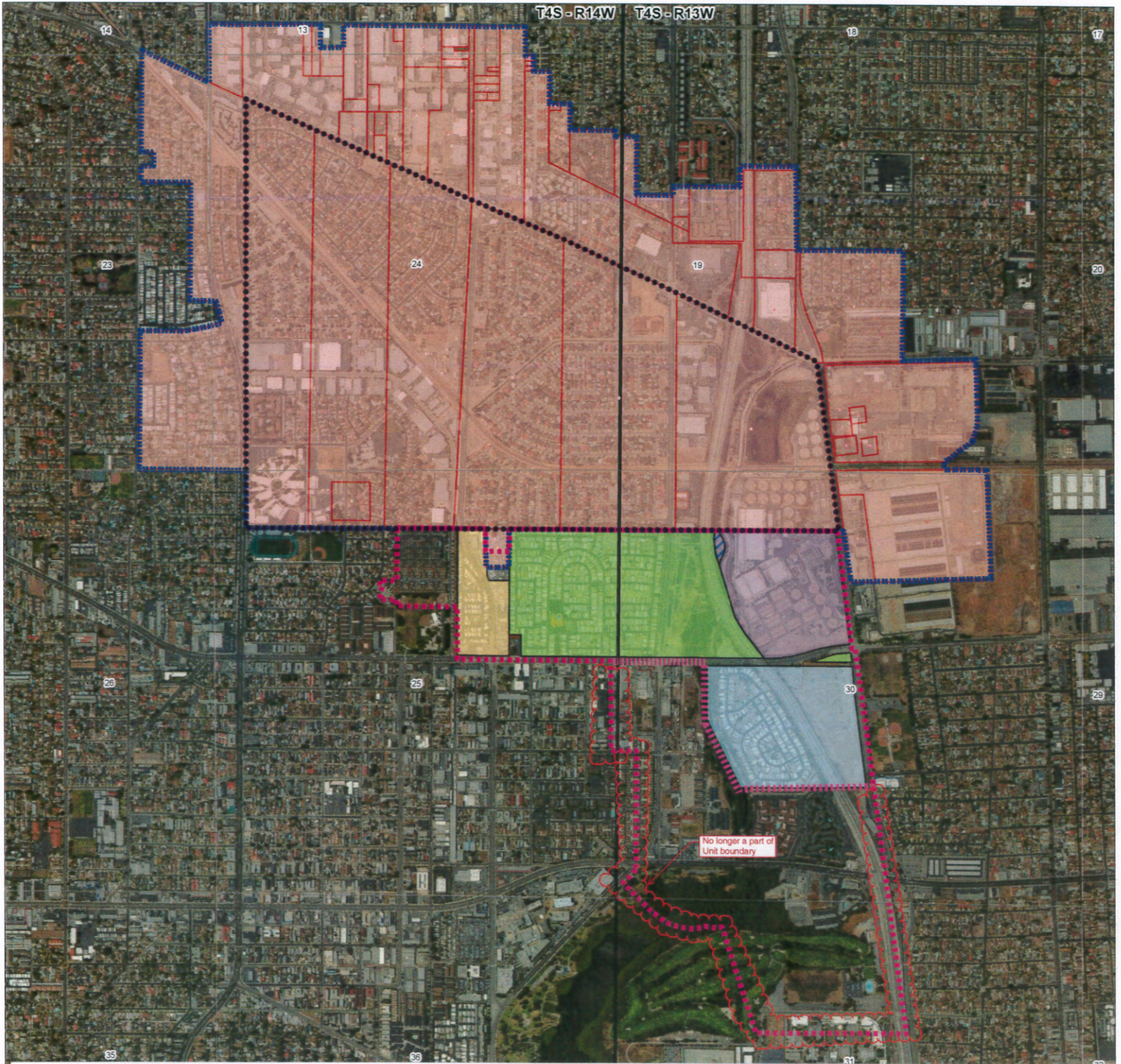
Sincerely,

A handwritten signature in blue ink, appearing to read "Rey Javier". The signature is stylized and cursive.

Rey Javier
Vice President
Brea Cañon Oil Co., Inc.

Attachments:

- Annotated aerial view of BCI leases
- Joughin / South Torrance Units – Oil Well and Pipeline Easements
- Joughin Unit facility Process Flow Diagram
- South Torrance Unit facility Process Flow Diagram
- Example documentation of 2013 drilling -- cuttings and fluids disposition



BREA CANON OIL

Los Angeles County, California
October 22, 2013

LEGEND

Utilization

- Current Joughin Unit
- 1984 Joughin Unit
- South Torrance Unit

Joughin Unit

- Unit Tracts

South Torrance Unit

- JP Wallace Ring-Hawkins
- Oakley-Mobil Lease
- Pogg-Mobile Lease
- San. Dist.-Mobil Lease
- San. Dist.-Mobil Lease (Mobil Fee)



Prepared by



0 200 400 600 800 1000 Feet

NOTED: THIS PLAN IS FOR THE PROPOSED OIL WELL AND PIPELINE EASEMENTS. IT IS NOT TO BE CONSIDERED AS A FINAL DESIGN OR CONSTRUCTION PLAN. THE ENGINEER'S OFFICE SHALL BE RESPONSIBLE FOR THE DESIGN AND CONSTRUCTION OF THE PROJECT.

**JOUGHIN/SOUTH TORRANCE
UNITS OIL WELL AND
PIPELINE EASEMENTS**



Breca Cañon
OIL & GAS, INC.
28800 BRECA ROAD, SUITE 100
BRECA, CALIFORNIA 92521-4002
TEL: 951-334-0022
FAX: 951-334-0023

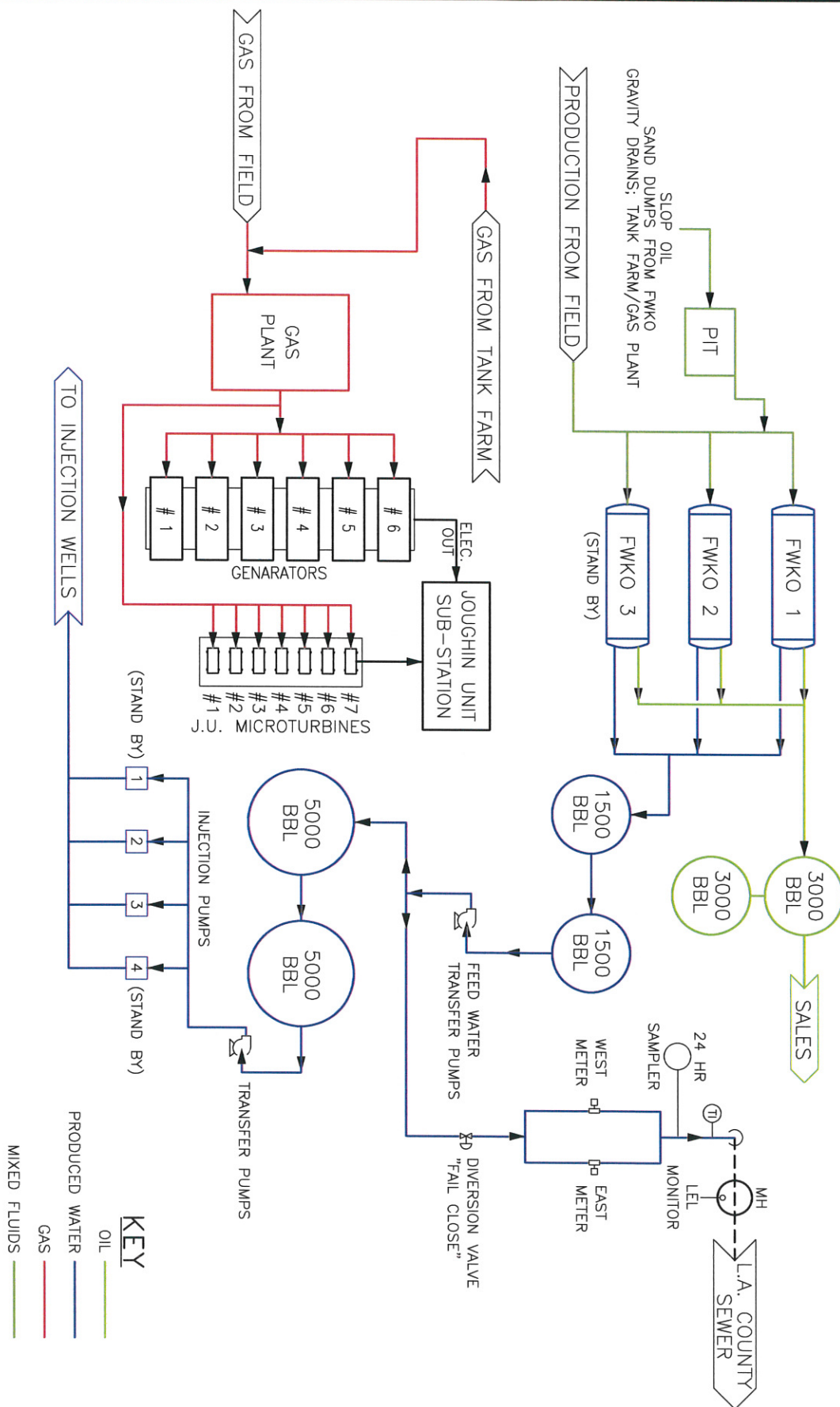
PROJECT: JTB
DATE: 08/25/13
DRAWN BY: JTB
CHECKED BY: JTB
SCALE: AS SHOWN
SHEET NO.: 01 OF 01

REV.	DATE	BY	DESCRIPTION

- KEY**
- Property Owned by JOG
 - Oil Well & Well Pad
 - Proposed Pipeline
 - Easement Right-of-Way
 - Easement Right-of-Way



BREA CAÑON OIL CO., INC.
JOUGHIN UNIT PRODUCED WATER/OIL/GAS
PROCESS FLOW DIAGRAM



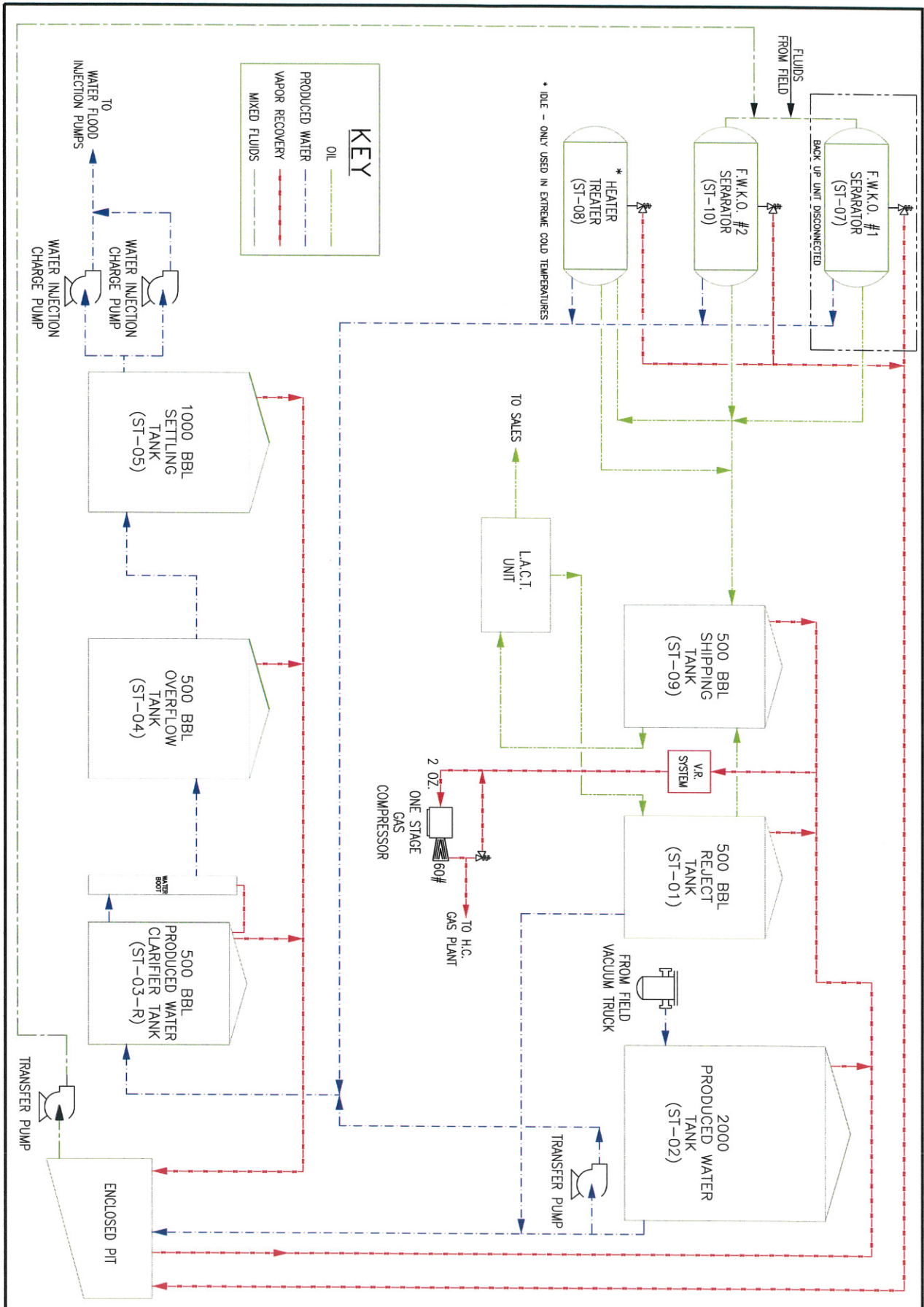
KEY
 OIL ———
 PRODUCED WATER ———
 GAS ———
 MIXED FLUIDS ———

REV	DATE	DESCRIPTION
0	10-01-15	ADDED MICROTURBINES
1	12-01-13	REVISED SEWER CONN.
0	12-01-06	AS-BUILT CONDITION

NOTICE:
 THIS DRAWING IS SOLE PROPERTY OF BREA CAÑON OIL AND IS LENT TO THE BORROWER FOR HIS CONFIDENTIAL USE ONLY. THE BORROWER AGREES THAT THIS DRAWING SHALL NOT BE REPRODUCED OR USED FOR ANY OTHER PURPOSE OTHER THAN THAT FOR WHICH IT IS FURNISHED.

Brea Cañon OIL CO., INC.
 LOS ANGELES BASIN DIVISION
 23905 SOUTH NORMANDIE AVENUE
 HARBOR CITY, CA 90710
 (310) 326-4002

JOUGHIN UNIT PRODUCED WATER/OIL/GAS PROCESS FLOW DIAGRAM
 DWG No. 082513-MECH-02A



REV	DATE	DESCRIPTION
	5-11-12	REVISED OVERFLOW TANK
	11-1-96	REVISED CLAIFER TANK
	5-08-92	ISSUED FOR REVIEW

NOTICE:
 THIS DRAWING IS SOLE PROPERTY OF BREA CAÑON OIL AND IS LENT TO THE BORROWER FOR HIS CONFIDENTIAL USE ONLY. THE BORROWER AGREES THAT THIS DRAWING SHALL NOT BE REPRODUCED OR USED FOR ANY OTHER PURPOSE OTHER THAN THAT FOR WHICH IT IS FURNISHED.

Brea Cañon OIL CO., INC.
 LOS ANGELES BASIN DIVISION
 23903 SOUTH NORMANDIE AVENUE
 HARBOR CITY, CA 90710
 (310) 326-4002

S.T.U. LEASE
 TANK BATTERY
 PROCESS FLOW DIAGRAM
 DWG No. 063516-MECH-01

Santa Clara Waste Water
 DBA Southern California Waste Water
 PO Box 3239
 Ventura, CA 93006
 (805) 525-8315

Invoice

Date	Invoice #
6/30/2013	76556

Bill To
Brea Canon Oil Co., Inc. Attn: Accounts Payable 23903 S. Normandie Ave. Harbor City, CA 90710

RECEIVED
 AUG 05 2013
 BRECA CAÑON OIL CO., INC.

PO #	Total Gallons	Terms	Due Date
Jos 3		Net 30	7/30/2013

Description	Manifest #	Quantity	Rate	Amount
6/21/13 flatbed, Backhoe and Rolloff onsite and delivery of zorbix				
Flatbed	155	10.5	95.00	997.50
Rolloff	511	9	95.00	855.00
Backhoe	512	6	125.00	750.00
6/21/13 loads taken to Chiquita for disposal, disposal cost and liner fee				
Drill Mud Cuttings	6765	27.65	22.00	608.30
Drill Mud Cuttings	6764	28.36	22.00	623.92
Bin Liners	2 liners	2	25.00	50.00
Rocket Launcher	513	20	110.00	2,200.00
6/22/13 Rolloff and Backhoe work onsite				
Rolloff	520	9.5	95.00	902.50
Backhoe	521	11.5	125.00	1,437.50
6/22/13 loads taken to Chiquita for disposal, disposal cost and liner fee				
Drill Mud Cuttings	6763	30.43	22.00	669.46
Bin Liners	1 liner	1	25.00	25.00
Rocket Launcher	522	10	110.00	1,100.00
6/23/13 Rolloff and Backhoe work onsite				
Rolloff	524	8	95.00	760.00
Backhoe	523	8	125.00	1,000.00
Total				

Santa Clara Waste Water

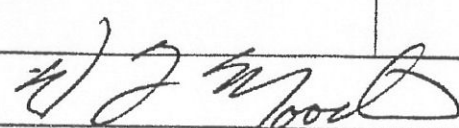
DBA Southern California Waste Water
PO Box 3239
Ventura, CA 93006
(805) 525-8315

Invoice

Date	Invoice #
6/30/2013	76556

Bill To
Brea Canon Oil Co., Inc. Attn: Accounts Payable 23903 S. Normandie Ave. Harbor City, CA 90710

PO #	Total Gallons	Terms	Due Date
Jos 3		Net 30	7/30/2013

Description	Manifest #	Quantity	Rate	Amount
6/24/13 Rolloff work onsite Rolloff	525	6	95.00	570.00
6/24/13 loads taken to Chiquita for disposal, disposal cost and liner fee				
Drill Mud Cuttings	6760	25.51	22.00	561.22
Bin Liners	1 liner	1	25.00	25.00
Rocket Launcher	526	13	110.00	1,430.00
6/25/13 loads taken to Chiquita for disposal, disposal cost and liner fee				
Drill Mud Cuttings	7198	20.95	22.00	460.90
Drill Mud Cuttings	7205	24.62	22.00	541.64
Drill Mud Cuttings	7169	27.7	22.00	609.40
Bin Liners	3 liners	3	25.00	75.00
Rocket Launcher	527	19	110.00	2,090.00
6/26/13 Backhoe work onsite Backhoe	531	12	125.00	1,500.00
6/26/13 loads taken to Chiquita for disposal, disposal cost and liner fee				
Drill Mud Cuttings	6768	23.6	22.00	519.20
Drill Mud Cuttings	6769	27.79	22.00	611.38
Bin Liners	2 liners	2	25.00	50.00
Rocket Launcher	530	18.5	110.00	2,035.00
			Total	\$23,057.92



Transportation & Lease Services

Manifest # 155

BREA CANYON OIL

Customer Name: <i>Brea Oil Corp</i>	Address: <i>Vermont Ave</i>	<input type="checkbox"/> Daily Work Report
Technical Contact: <i>B. V. / Carlos</i>	Telephone:	<input type="checkbox"/> Change Order
SCWW, Santa Paula Facility Address 815 Mission Rock Road, Santa Paula, CA 93060	<i>PSC Santa Paula 916</i>	<input type="checkbox"/> Emergency Response
Project Description: <i>Deliver Zorbex to Drilling Rig #38 Harbor City</i>		<input type="checkbox"/> Other: Date of Project: <i>6-21-13</i>

SCWW Transportation	Leave Yard		Lease Arrival		Lease Departure		Return to Yard		TOTAL HOURS
Ticket #	Time	AM-PM	Time	AM-PM	Time	AM-PM	Time	AM-PM	
	<i>9:00 AM</i>		<i>1:30 PM</i>		<i>4:30 PM</i>		<i>7:30 PM</i>		<i>10 1/2</i>
<i>10.5 HRS TRANS @ 95-</i>									<i>997.50</i>
SCWW Transportation Hours SCWW Transportation Rate SCWW Transportation Sub-Total									

SCWW Materials			
Description	Qty	Rate	Amount
<i>ZORBIX</i>	<i>22</i>	<i>BAG</i>	<i>2200-</i>
SCWW Materials Sub-Total			

Sub-Totals	Amount
SCWW Transportation	
SCWW Materials	
TOTAL	



Transportation & Lease Services

Manifest # 511

Customer Name: BREA CANON	Address: VERMONT - HARBOR CITY	<input checked="" type="checkbox"/> Daily Work Report <input type="checkbox"/> Change Order <input type="checkbox"/> Emergency Response <input type="checkbox"/> Other:
Technical Contact: CARLOS - SCWW	Telephone:	
SCWW, Santa Paula Facility Address 815 Mission Rock Road, Santa Paula, CA 93060	AFC 1337 well JOS#3	Date of Project: 6-21-13
Project Description: Roll off Truck called out to assist Burdhop in Chem 1/2 round. Also moved bins on site		

SCWW Transportation Ticket #	Leave Yard		Lease Arrival		Lease Departure		Return to Yard		TOTAL HOURS
	Time	AM-PM	Time	AM-PM	Time	AM-PM	Time	AM-PM	
Roll off truck			0:00	-	6:00				6 hr
			21:00	-	0:00				3
									<u>9 hr</u>
									SCWW Transportation Hours
									SCWW Transportation Rate \$ 95
									SCWW Transportation Sub-Total \$ 955

SCWW Materials			
Description	Qty	Rate	Amount
SCWW Materials Sub-Total			

Sub-Totals	Amount
SCWW Transportation	\$ 955
SCWW Materials	
TOTAL	\$ 955



Transportation & Lease Services

Manifest # 512

Customer Name: BREA CANON	Address: VERMONT - HARBOR CITY	<input checked="" type="checkbox"/> Daily Work Report <input type="checkbox"/> Change Order <input type="checkbox"/> Emergency Response <input type="checkbox"/> Other:
Technical Contact: CARLOS - SCWW	Telephone:	
SCWW, Santa Paula Facility Address 815 Mission Rock Road, Santa Paula, CA 93060	AFC 1337 well JOS #3	Date of Project: 6/21/13
Project Description: Backhoe - called out to mix 1/2 Round		

SCWW Transportation Ticket #	Leave Yard		Lease Arrival		Lease Departure		Return to Yard		TOTAL HOURS
	Time	AM/PM	Time	AM/PM	Time	AM/PM	Time	AM/PM	
Backhoe	0:00	-	6:00						6
									SCWW Transportation Hours <u>6</u> SCWW Transportation Rate <u>125</u> SCWW Transportation Sub-Total 750

SCWW Materials			
Description	Qty	Rate	Amount
SCWW Materials Sub-Total			

Sub-Totals	Amount
SCWW Transportation	\$ 750
SCWW Materials	
TOTAL	\$ 750

SCWW

Non-Hazardous Waste Manifest

FOR USE WITH NON-HAZARDOUS WASTE MATERIAL ONLY
PO Box 3239 Ventura, CA 93006

Manifest # 6765

PHONE (805) 525-8315

FAX (805) 525-1756

GENERATOR INFORMATION

Name Northstar Energy Phone # 805-325-1586
Address 234 Contractor's Road, Bakersfield, CA 93307 Date 1/2/02
John C. ...
Signature of Authorized Agent
Title

WASTE INFORMATION

Type Oil Quantity 12.2
Well/Tank # 14022 102 Lease Name
Generating Location County LA
Special Handling Instructions None

TRANSPORTER INFORMATION

Name
Address
Signature of Authorized Driver ... Date 1/2/02
Phone #

WASTE INFORMATION

Ticket #
Quantity Received
Arrival Time at Generator
Departure Time at Generator
Unit No. ...
Estimated Mileage
AM PM
AM PM

DISPOSAL LOCATION

Northstar Energy
234 Contractor's Road, Bakersfield, CA 93307
 Southern California Waste Water
15 Mission Rock Rd, Santa Paula, CA 93060
(805) 525 - 8315

WASTE INFORMATION

Waste Type
Time In
Washout YES NO
Signature of Authorized Agent
Date
Quantity 21.65
Time Out
Start Time
End Time
AM PM
AM PM

16110 E 45524
SAND E 45538

SCWW

Manifest # 6764

Non-Hazardous Waste Manifest

FOR USE WITH NON-HAZARDOUS WASTE MATERIAL ONLY
PO Box 3239 Ventura, CA 93006

PHONE (805) 525-8315

GENERATOR INFORMATION

Name Geo. Chynor Co. Phone # 525-1756
Address 2201 S. Highway
16110 E 45524
Signature of Authorized Agent [Signature] Date 6-21-13
Title [Signature]

FAX (805) 525-1756

WASTE INFORMATION

Type Concrete Quantity 18 yds x 2
Well/Tank # 2201 S. 103 Lease Name _____
Generating Location County CA
Special Handling Instructions Paper PPE

TRANSPORTER INFORMATION

Name SFL Phone # _____
Address VENTURA
Signature of Authorized Driver GABRIEL Date 6-21-13

WASTE INFORMATION

Ticket # _____ Unit No. 270021E3700
Quantity Received _____ Estimated Mileage _____
Arrival Time at Generator _____ AM PM
Departure Time at Generator _____ AM PM

DISPOSAL LOCATION

Northstar Energy
234 Contractor's Road, Bakersfield, CA 93307
 Southern California Waste Water
15 Mission Rock Rd, Santa Paula, CA 93060

WASTE INFORMATION

Waste Type _____ Quantity 28.36
Time In _____ AM PM Time Out _____ AM PM
Washout YES NO Start Time _____ End Time _____
Signature of Authorized Agent [Signature]
Date 6/21/13



Transportation & Lease Services

Manifest # 513

Customer Name: BREA CANON	Address: VERMONT - HARBOUR CITY	<input checked="" type="checkbox"/> Daily Work Report
Technical Contact: CARLOS - SCWW	Telephone:	<input type="checkbox"/> Change Order
SCWW, Santa Paula Facility Address 815 Mission Rock Road, Santa Paula, CA 93060	AFC 1337 well JOS#3	<input type="checkbox"/> Emergency Response
Project Description: Rocket Launcher culled out to take Bins to Chiquita Landfill		<input type="checkbox"/> Other: Date of Project: 6-21-13

Manifest 6765, 6767

SCWW Transportation	Leave Yard	Lease Arrival	Lease Departure	Return to Yard	
Ticket #	Time	AM-PM	Time	AM-PM	TOTAL HOURS
Rocket Launcher	2:00		23:00	(1 hr Lunch)	20 hrs

SCWW Transportation Hours 20h.
 SCWW Transportation Rate \$110
 SCWW Transportation Sub-Total 2,200

SCWW Materials			
Description	Qty	Rate	Amount
SCWW Materials Sub-Total			

Sub-Totals	Amount
SCWW Transportation	\$ 2,200
SCWW Materials	
TOTAL	\$ 2,200



Transportation & Lease Services

Manifest # 520

Customer Name: BREA CANON	Address: VERMONT - HARBOR CITY	<input checked="" type="checkbox"/> Daily Work Report
Technical Contact: CARLOS - SCWW	Telephone:	<input type="checkbox"/> Change Order
SCWW, Santa Paula Facility Address 815 Mission Rock Road, Santa Paula, CA 93060	AFE 1337 Well Jos #3	<input type="checkbox"/> Emergency Response
Project Description: Roll off truck called out to mix help Buckhoe mix 1/2 Tonnell.		<input type="checkbox"/> Other:
		Date of Project:

SCWW Transportation	Leave Yard	Lease Arrival	Lease Departure	Return to Yard	
Ticket #	Time AM-PM	Time AM-PM	Time AM-PM	Time AM-PM	TOTAL HOURS
Roll off	01:00 - 06:00		6		9.5
	12:00 - 15:30		3.5		
SCWW Transportation Hours					9.5
SCWW Transportation Rate					95
SCWW Transportation Sub-Total					902.50

SCWW Materials			
Description	Qty	Rate	Amount
SCWW Materials Sub-Total			

Sub-Totals	Amount
SCWW Transportation	902.50
SCWW Materials	
TOTAL	902.50

Santa Clara Waste Water

DBA Southern California Waste Water
 PO Box 3239
 Ventura, CA 93006
 (805) 525-8315

Invoice

Date	Invoice #
6/30/2013	76556

Bill To
Brea Canon Oil Co., Inc. Attn: Accounts Payable 23903 S. Normandie Ave. Harbor City, CA 90710

PO #	Total Gallons	Terms	Due Date
Jos 3		Net 30	7/30/2013

Description	Manifest #	Quantity	Rate	Amount
6/21/13 flatbed, Backhoe and Rolloff onsite and delivery of zorbix				
Flatbed	155	10.5	95.00	997.50
Rolloff	511	9	95.00	855.00
Backhoe	512	6	125.00	750.00
6/21/13 loads taken to Chiquita for disposal, disposal cost and liner fee				
Drill Mud Cuttings	6765	27.65	22.00	608.30
Drill Mud Cuttings	6764	28.36	22.00	623.92
Bin Liners	2 liners	2	25.00	50.00
Rocket Launcher	513	20	110.00	2,200.00
6/22/13 Rolloff and Backhoe work onsite				
Rolloff	520	9.5	95.00	902.50
Backhoe	521	11.5	125.00	1,437.50
6/22/13 loads taken to Chiquita for disposal, disposal cost and liner fee				
Drill Mud Cuttings	6763	30.43	22.00	669.46
Bin Liners	1 liner	1	25.00	25.00
Rocket Launcher	522	10	110.00	1,100.00
6/23/13 Rolloff and Backhoe work onsite				
Rolloff	524	8	95.00	760.00
Backhoe	523	8	125.00	1,000.00
Total				

(661)257-3655
CHIQUITA CANYON LANDFILL
29201 Henry Mayo Dr
Castaic, CA 91384

27.65T

Weighed: Rosa L
Deposit: D Landeros
BILL TO: 411
SOUTHERN CALIF WASTE WATER

Vehicle ID: SCWW-
Reference:
PO Number: 6765

Origin: SANTA PAULA
DATE IN: 06/21/2013 TIME IN: 07:06:36
DATE OUT: 06/21/2013 TIME OUT: 08:05:42

INBOUND TICKET Number: 01-00481387

SCALE 2 GROSS WT.	98820 LB
SCALE 1 TARE WT.	43520 LB
NET WEIGHT	55300 LB

Qty	Description	Amount
27.650	SPECIAL WASTE	

X _____

(Driver Signature)

This is to certify that this load does not contain any hazardous materials, medical waste or liquids of any type.

WEIGHMASTER CERTIFICATE:

THIS IS TO CERTIFY that the following described commodity was weighed, measured, or counted by a weighmaster, whose signature is on this certificate, who is a recognized authority of accuracy, as prescribed by Chapter 7 (commencing with Section 12700) of Division 5 of the California Business and Professions Code, administered by the Division of Measurement Standards of the California Department of Food and Agriculture.

(661)257-3655
CHIQUITA CANYON LANDFILL
29201 Henry Mayo Dr
Castaic, CA 91384

28.36

Weighed: Rosa L
Deposit: Rosa L
BILL TO: 411
SOUTHERN CALIF WASTE WATER

Vehicle ID: SCWW-
Reference:
PO Number: 6764

Origin: SANTA PAULA
DATE IN: 06/21/2013 TIME IN: 14:23:28
DATE OUT: 06/21/2013 TIME OUT: 15:36:28

INBOUND TICKET Number: 01-00481594

SCALE 2 GROSS WT.	100320 LB
SCALE 1 TARE WT.	43600 LB
NET WEIGHT	56720 LB

Qty	Description	Amount
28.360	SPECIAL WASTE	

X _____

(Driver Signature)

This is to certify that this load does not contain any hazardous materials, medical waste or liquids of any type.

WEIGHMASTER CERTIFICATE:

THIS IS TO CERTIFY that the following described commodity was weighed, measured, or counted by a weighmaster, whose signature is on this certificate, who is a recognized authority of accuracy, as prescribed by Chapter 7 (commencing with Section 12700) of Division 5 of the California Business and Professions Code, administered by the Division of Measurement Standards of the California Department of Food and Agriculture.

(651)257-3655
CHUQUITA CANYON LANDFILL
29201 Henry Mayo Dr
Castaic, CA 91384

30.435

Weighed: Rosa L
BILL TO: 411
SOUTHERN CALIF WASTE WATER

Vehicle ID: SCNW-
Reference:
PO Number: 6763

Origin: SANTA PAULA
DATE IN: 06/22/2013 TIME IN: 07:43:40
DATE OUT: 06/22/2013 TIME OUT: 07:43:40

INBOUND TICKET Number: 01-00481726

MANUAL GROSS WT.	104800 LB
SCALE 2 TARE WT.	43940 LB
NET WEIGHT	60860 LB

Qty	Description	Amount
30.430	SPECIAL WASTE	

X _____

(Driver Signature)

This is to certify that this load does not contain any hazardous materials, medical waste or liquids of any type.

WEIGHMASTER CERTIFICATE:

THIS IS TO CERTIFY that the following described commodity was weighed, measured, or counted by a weighmaster, whose signature is on this certificate, who is a recognized authority of accuracy, as prescribed by Chapter 7 (commencing with Section 12700) of Division 5 of the California Business and Professions Code, administered by the Division of Measurement Standards